

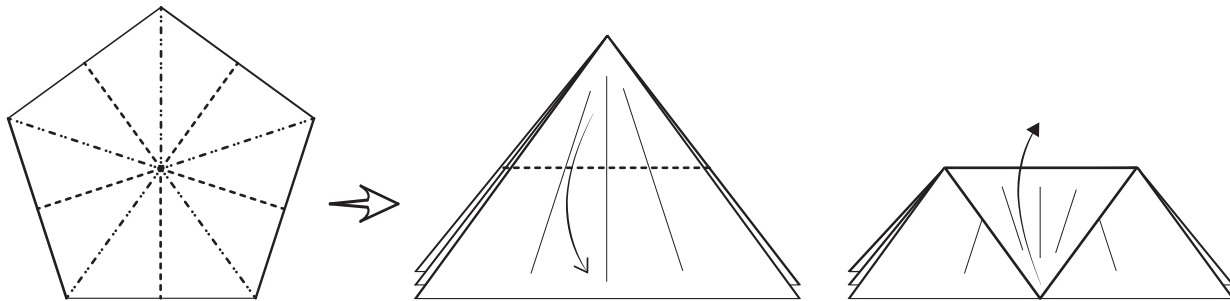
# Amehana no hana (雨の花) / "Rainflower Blossom"

J.C. Nolan

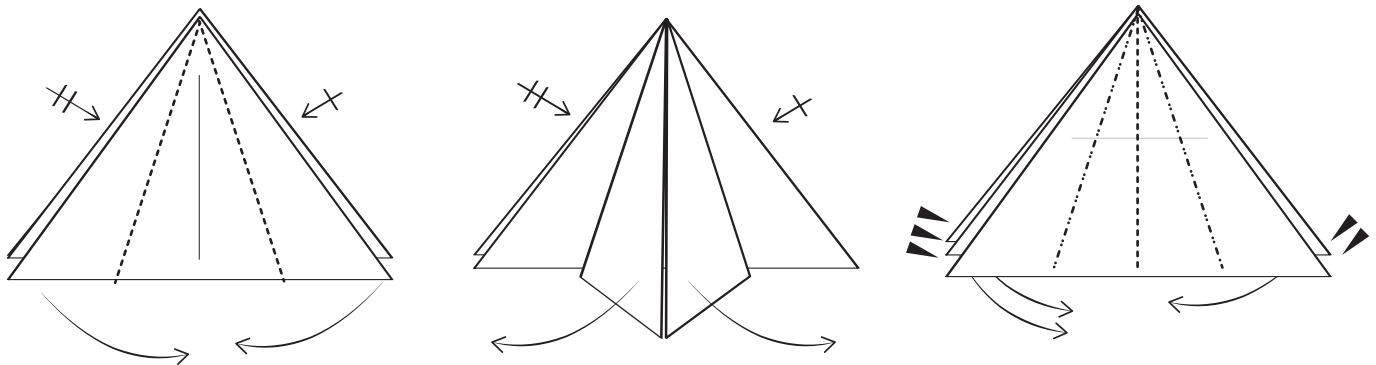
2018 - Sunnyvale, CA

Diagrams ©2018 JC Nolan

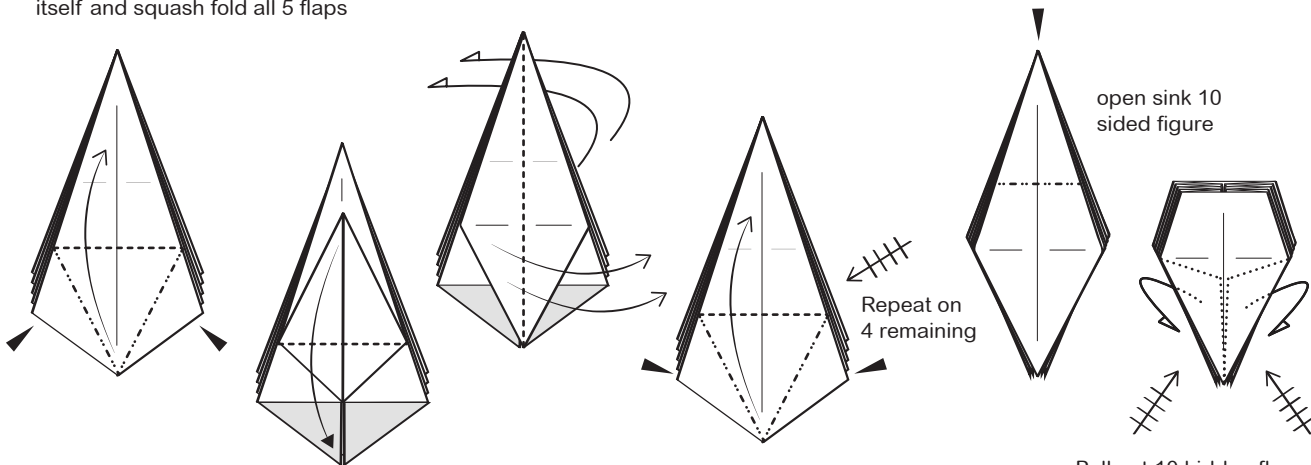
Hi-Intermediate - mostly due to the wonky sink and petal folds. Fold from a pentagon of something sturdy or foil backed not too thin.



Start w/a pentagon, colored side down, fold into 5-pointed waterbomb base, then fold in half, crease sharply and unfold



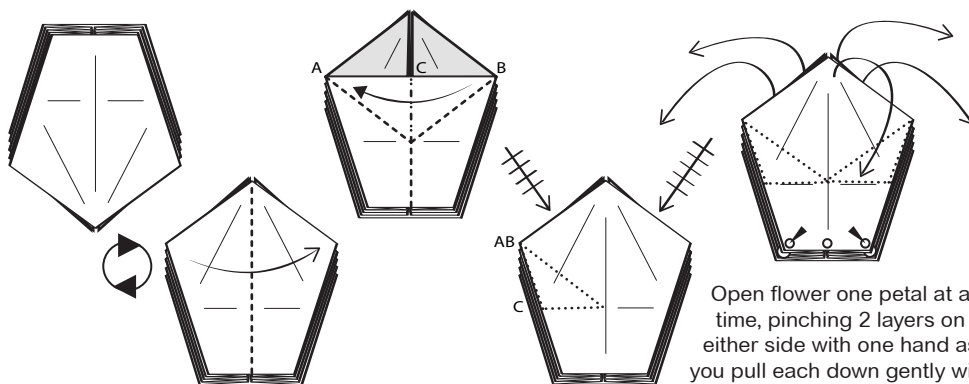
Pre-crease 5 flaps for squish folds. Fold and unfold first two flaps, then unfold, flip-over and do two on rear. Finally, do 5th flap by itself and squash fold all 5 flaps



Execute 5 wonky petal-folds and unfold. Works easiest if you do one at a time left to right.

open sink 10 sided figure

Pull out 10 hidden flaps to open petals and rotate 180 degrees



Rotate 180, pull down 10 flaps to lock petal forms.

Open flower one petal at a time, pinching 2 layers on either side with one hand as you pull each down gently with the other working around the circle as the flower opens

